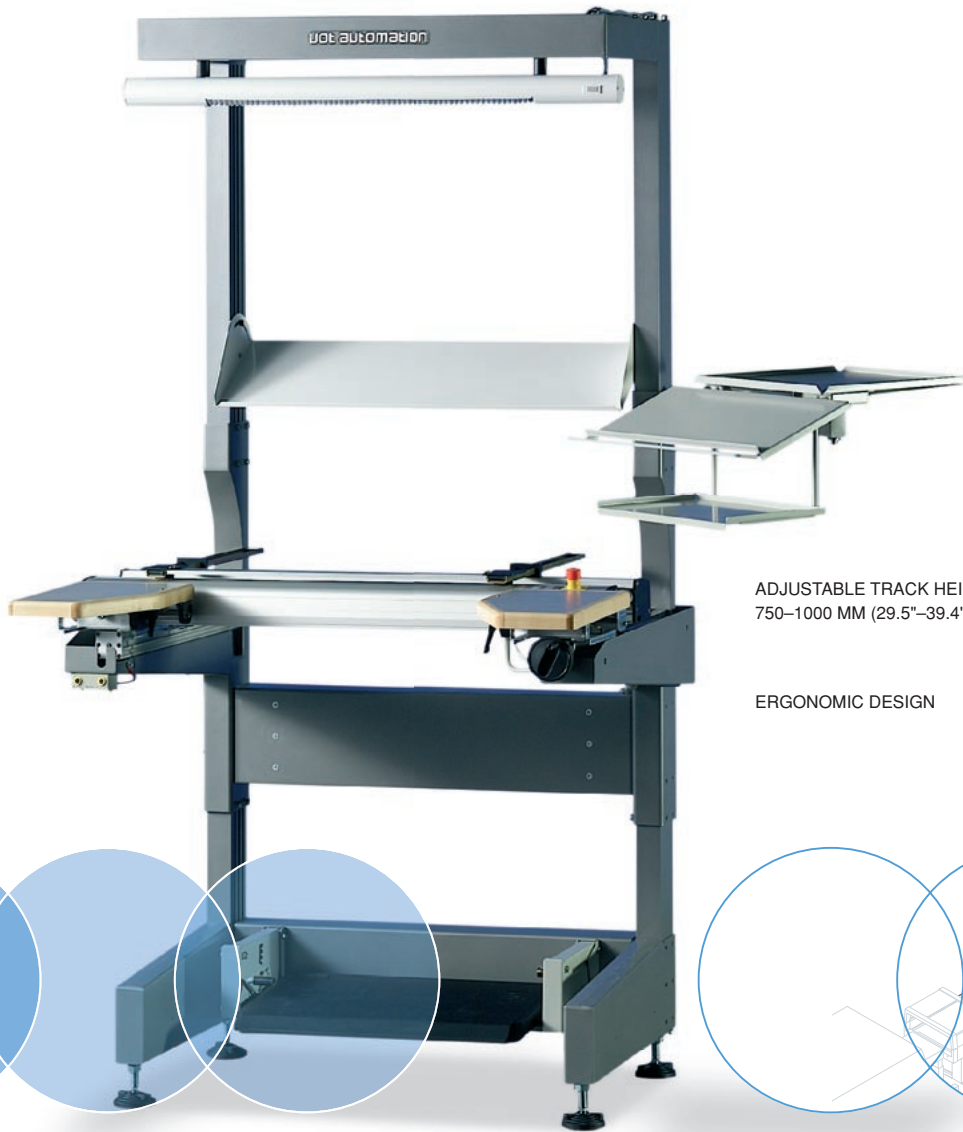


In-line Workstation J206-50

For manual assembly, inspection, soldering and repair • Buffer-work-buffer configuration • Fully integrated with the conveyor track • Versatile adjustments • Large range of optional accessories



ADJUSTABLE TRACK HEIGHT
750–1000 MM (29.5"–39.4")

ERGONOMIC DESIGN

CE



ELEKTROBIT GROUP PLC.
P.O. BOX 45, AUTOMAATIOITIE 1
FIN-90461 OULUNSALO, FINLAND
TEL. +358 40 344 2000, FAX +358 8 570 1301



All trademarks are the property of Elektrobot Group Plc. All rights reserved. Information contained herein is subject to change without notice. No part of this Data Sheet may be reproduced in any form or by any means, electronic, mechanical, photocopying, recording or otherwise, without the prior written permission of Elektrobot Group Plc. Elektrobot Group Plc. retains ownership and all other rights of all drawings, models, dimensions, shapes, solutions, ideas or any kind of industrial property rights presented or expressed in this Data Sheet. All other use of the material presented or expressed in this Data Sheet except for getting acquainted with, quoting, ordering or use otherwise related to business with Elektrobot Group Plc. is strictly prohibited.

Please see www.elektrobot.com for country by country sales and service contact details.

In-line Workstation J206-50

Standard Features

- Automatic indexing and manual inspection/assembly modes
- Single light
- Document shelf
- Wrist support
- Elbow supports, adjustable
- Adjustable footrest
- SMEMA electrical interface
- ESD-safe design
- CE-safety compliant

Technical Characteristics

- Standard length 1500 mm (59.1") 2/3 segments
- Fixed edge 165 mm (6.5") from front
- Outside width W2 (see table)
- Track height 750-1000 mm (29.5"-39.4"), adjustable
- Track width adjustment by hand crank

- Flat belts with 3 mm carrying edge
- Fixed conveyor speed appr. 12 m/min (40 fpm)
- Frame height 1800-2050 mm (70.9"-80.7")
- Weight 140 kg (310 lbs), length 1000 mm (39.4")

Installation Requirements

- Power supply 220-240 VAC / 50 Hz / 1 A or 110-120 VAC / 60 Hz / 2 A

Options

- Manual tool, Motorized or line width adjustment
- Speed control
- Component box / Document shelves
- Mirror
- Double lights on sides
- Transport on 3 mm (0.12") round belts

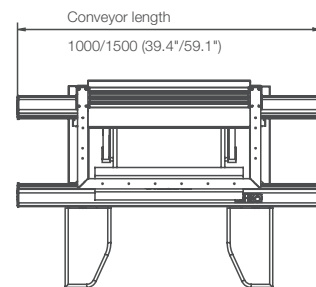
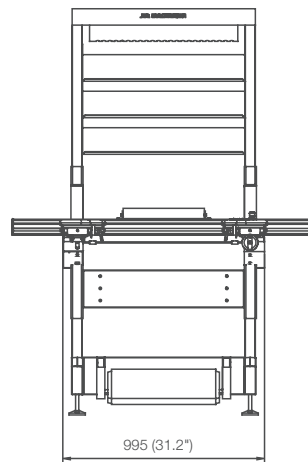
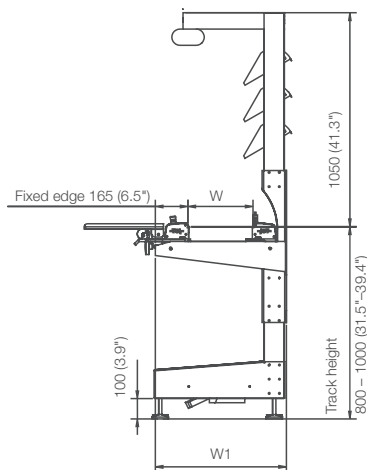
- Slides for ceramic PCB's
- Other than SMEMA interfaces
- Tilt 0-15°
- Automatic PCB support
- Slide covers for safety
- Optional lengths L = 1000 (39.4"), 1200 (47.2")
- Conveyor speed 6 m/min (20 fpm) or 18 m/min (60 fpm)

Board Specifications

- JOT Board Specification 470 standard (320 option)

Track width W max	W1
320	650 (25.6")
470	850 (31.5")

L = standard lengths 1000, (1200) or 1500 (39.4", (47.2") or 59.1")



J206-50